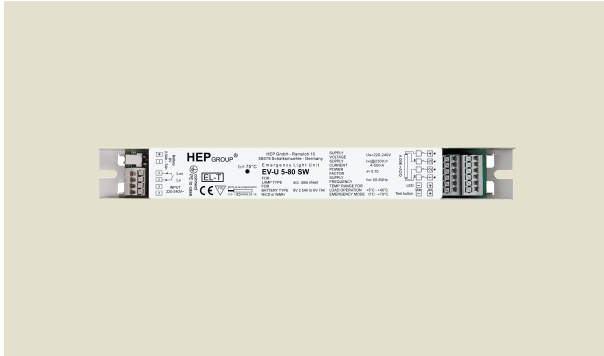


## Electronic Emergency Light Unit

## 220-240V



### Approval Marks



### Conformity

EN 61347-1  
EN 61347-2-7

### Product Specification

Parameter	Conditions	Min	Nom	Max	Unit
Number Of Lamps Driven		-	1	-	-
Input Power		0.3	-	8.5	W
Rated Input Voltage	25°C	220	230	240	V
Input Current	25°C,@230V	4	-	50	mA
Input Frequency	25°C,@230V	-	50/60	-	Hz
Power Factor	25°C,@230V	0.68	-	-	-
Emergency Mode start	25°C	-	<160	-	V
Operating Frequency	25°C	40	-	-	KHz
Lamp Power	25°C, Emergency mode	2	-	12	W
Input Power	25°C, Emergency mode	3.8	-	15	W
Input Current	25°C, Emergency mode	0.7	-	2.2	A
Operating Frequency	25°C, Emergency mode	-	-	31	KHz
Battery Voltage	Ni-Cd / NiMh	-	6	-	-
Loading Operating Ambient Temperature	Nominal Input	+5	-	+45	°C
Emergency Mode Ambient Temperature	Emergency Mode	0	-	+70	°C
Max Allowed Case Temperature	Nominal Input	-	-	+75	°C
Average Service Life	at 45°C ambient	50,000	-	-	hours
Failure Rate Per 1000h Operation	at 45°C ambient	-	-	0.20%	-

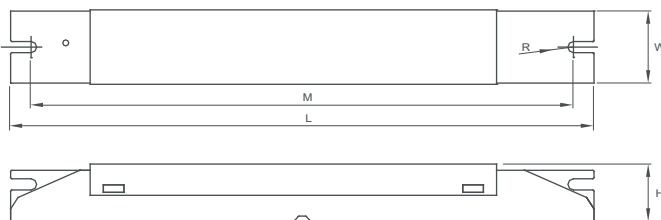
**Lamp Type** T8 / T5 / TC-DE / TC-L / TC-SE / TC-TE : 5~80W

### Application Space

Indoor Use

(Low Humidity, No Condensation)

### Physical Parameter



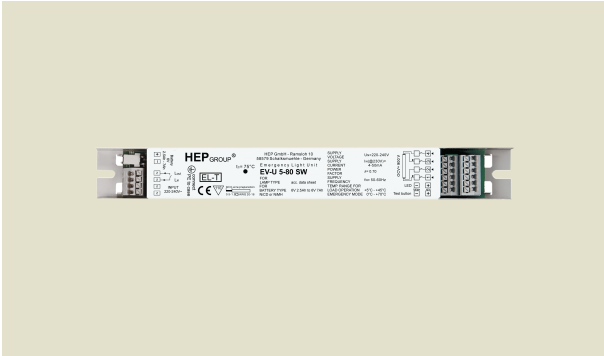
L : 235 mm    H : 21 mm  
M : 218.5 mm    R : 2 mm  
N :  
W : 29.5 mm    Slot On One Side Allowing Alignment : M $\pm$ 3 mm

Tolerance :  $\geq 0 \sim 100 \geq \pm 0.5$  mm  
100  $\sim \geq \pm 1$  mm

Terminal Block : Push - Button, Angled Entry  
Housing Material : Metal, No Sharp Edges  
Soldering : Lead - Free, Comply With RoHS  
Label : Surface Print

**Electronic Emergency Light Unit**

**220-240V**



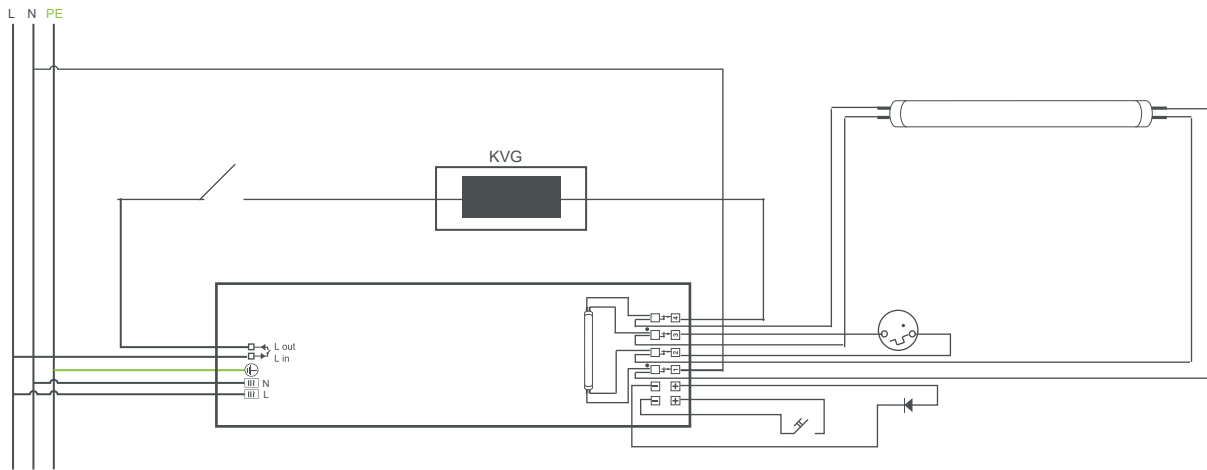
**Approval Marks**



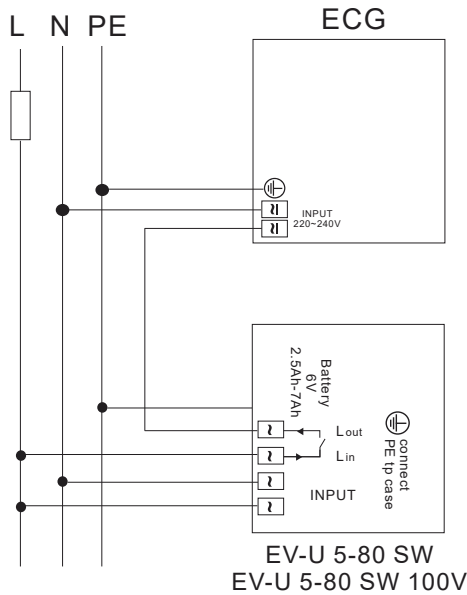
**Conformity**

EN 61347-1  
EN 61347-2-7

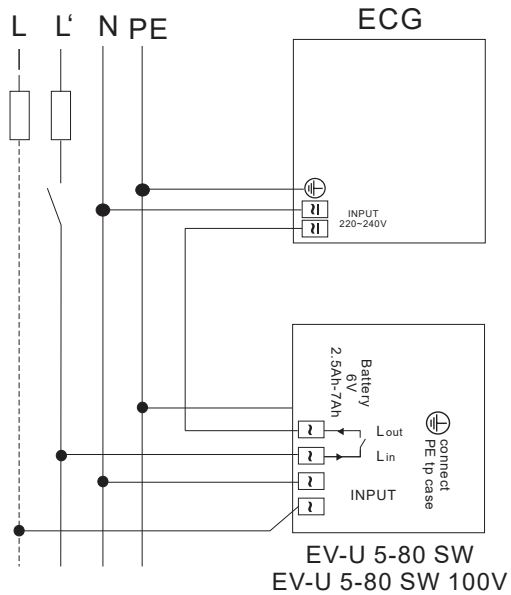
- KVG (conventional ballast)  
Lamp x 1



**option1**

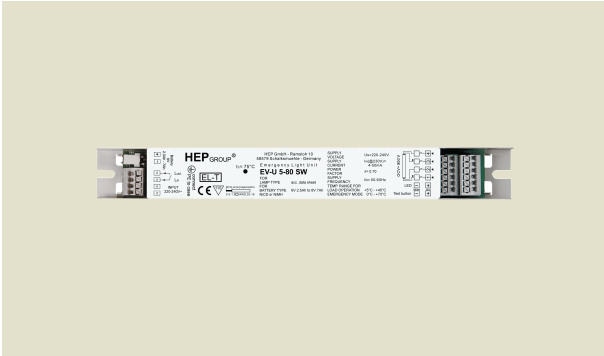


**option2**



**Electronic Emergency Light Unit**

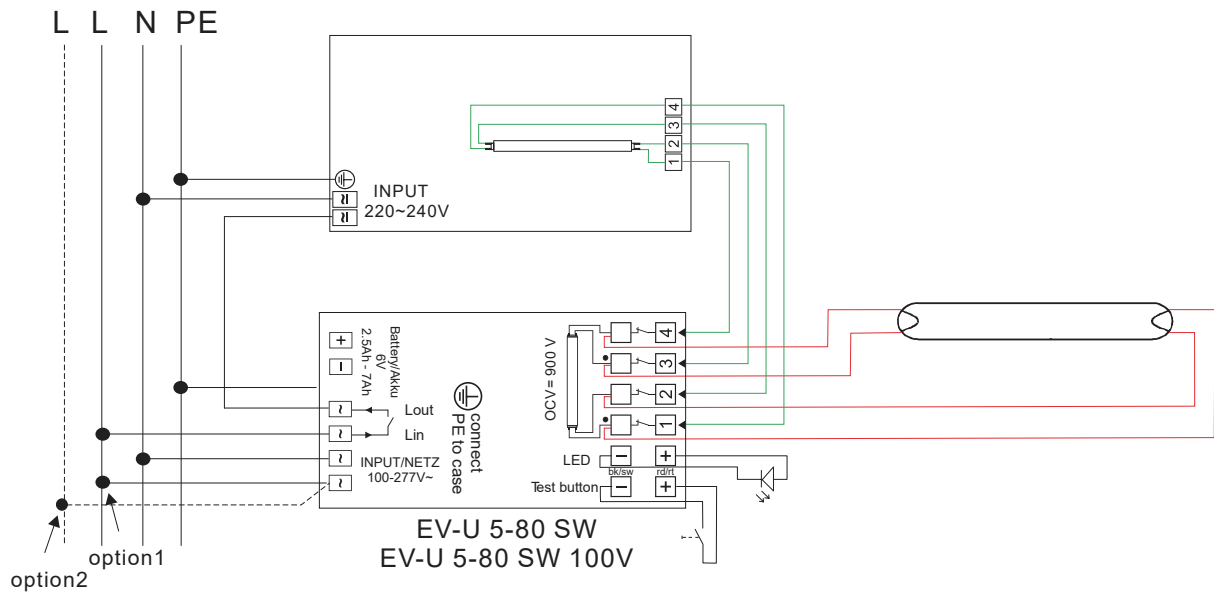
**220-240V**



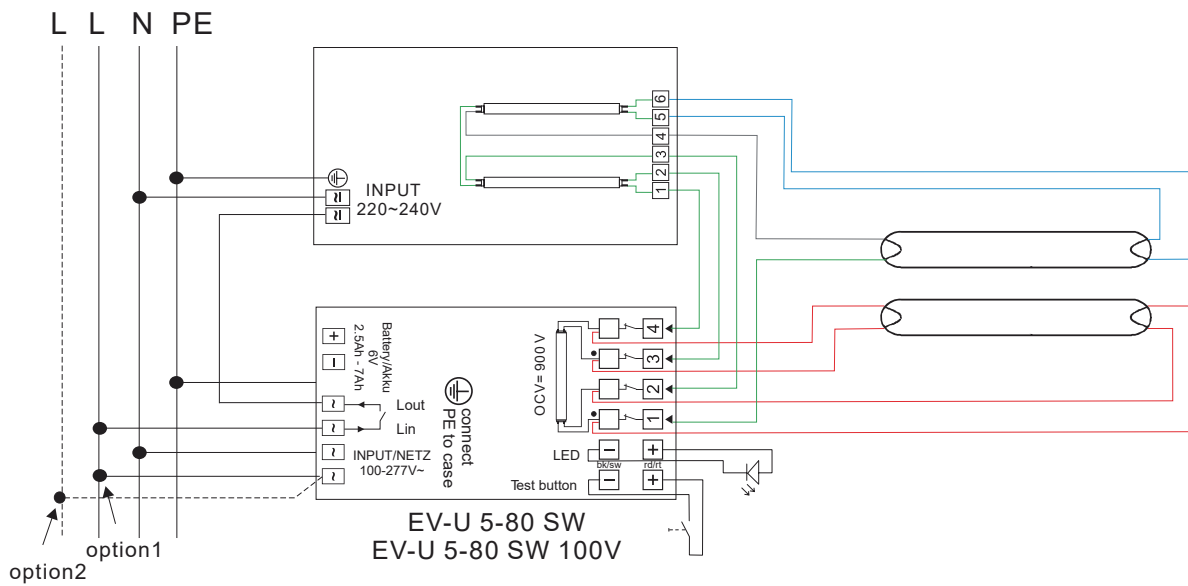
**Approval Marks**  
**CE**

**Conformity**  
 EN 61347-1  
 EN 61347-2-7

■ **EVG (1-lamp with 4-pins)**

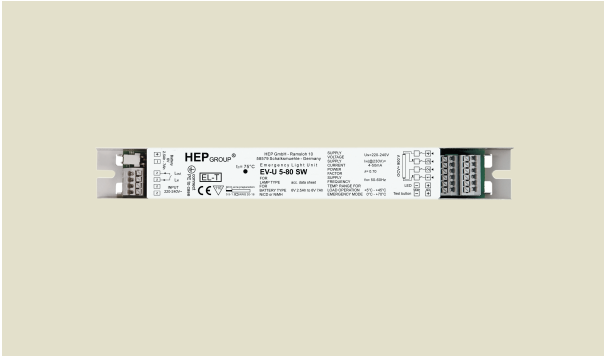


■ **EVG (2-lamp with 6-pins)**



**Electronic Emergency Light Unit**

**220-240V**



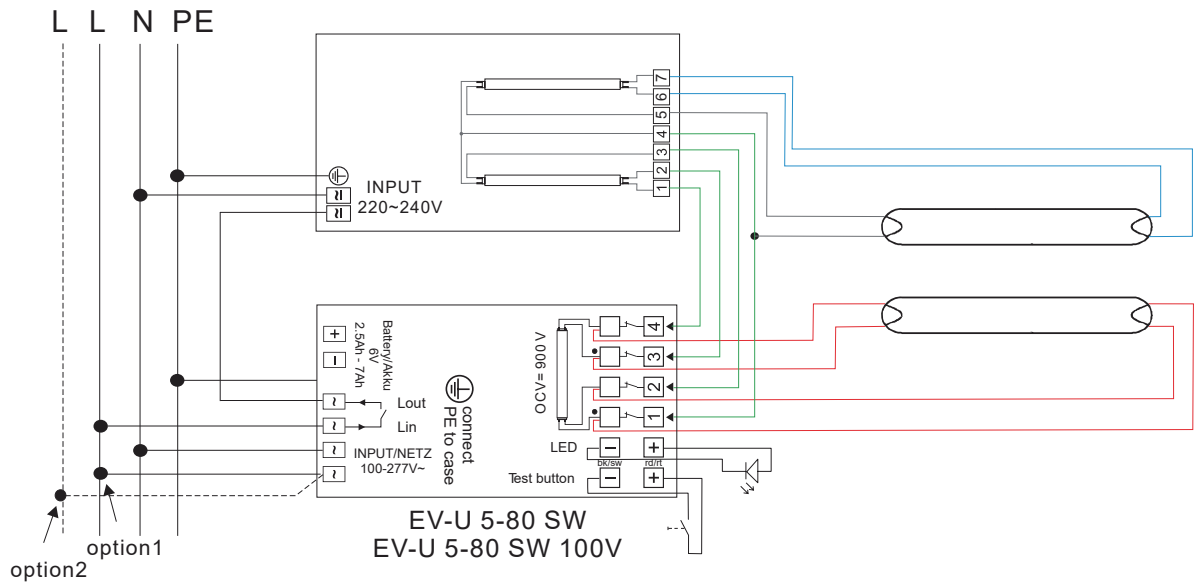
**Approval Marks**



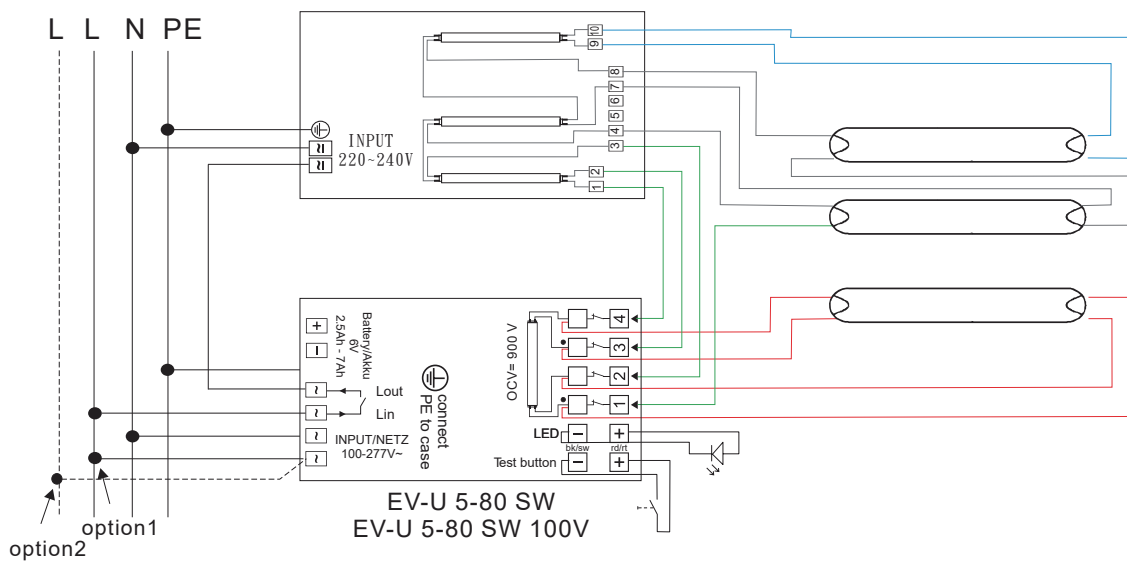
**Conformity**

EN 61347-1  
EN 61347-2-7

■ EVG (2-lamp with 7-pins)

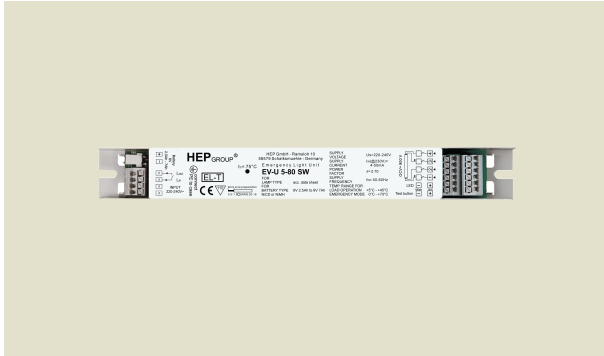


■ EVG (3-lamp with 10-pins)



**Electronic Emergency Light Unit**

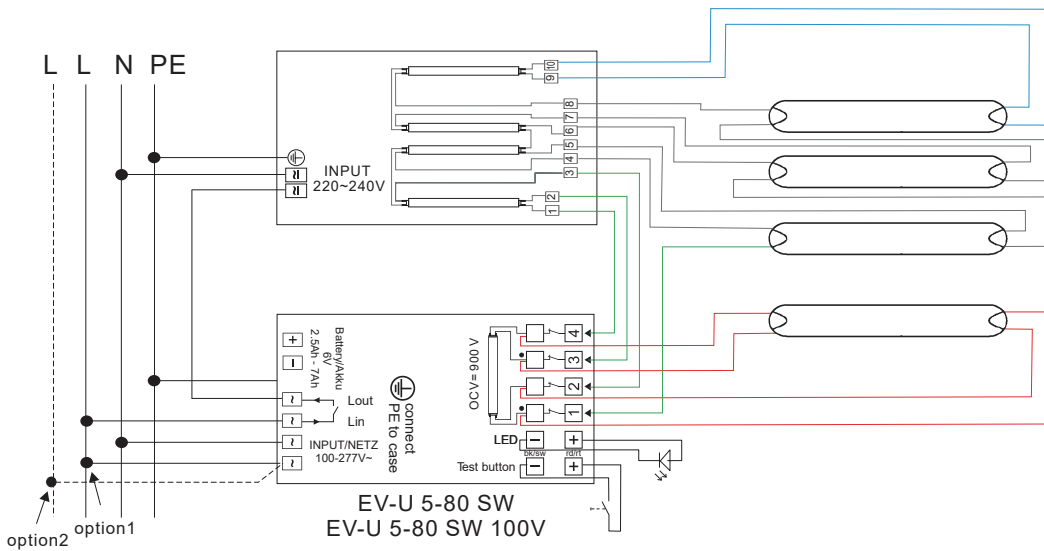
**220-240V**



**Approval Marks**  
**CE**

**Conformity**  
 EN 61347-1  
 EN 61347-2-7

■ **EVG (4-lamp with 10-pins)**



Light flux in % during Emergency Operation

Lamptype	Wattage																													
Lamps Leuchtmittel	5	7	8	9	10	11	13	14	18	21	22	24	25	26	28	30	32	35	36	38	39	40	42	49	54	55	57	58	70	80
T8(T26)									18				15			15			13	13								10	8	
T8C																	12					13								
T5			31			28	27	26		22					21		15													
T5 High											19										14			9	14					9
T5C											19											14				18				
TC-DE								27	26					22																
TC-L									17			17							16			14				12				8
TC-SE		31		30		28																								
TC-TE									26					18			19							16						